

4

3

2

1

THIS DRAWING IS UNPUBLISHED.

RELEASED FOR PUBLICATION

,19

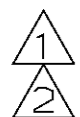
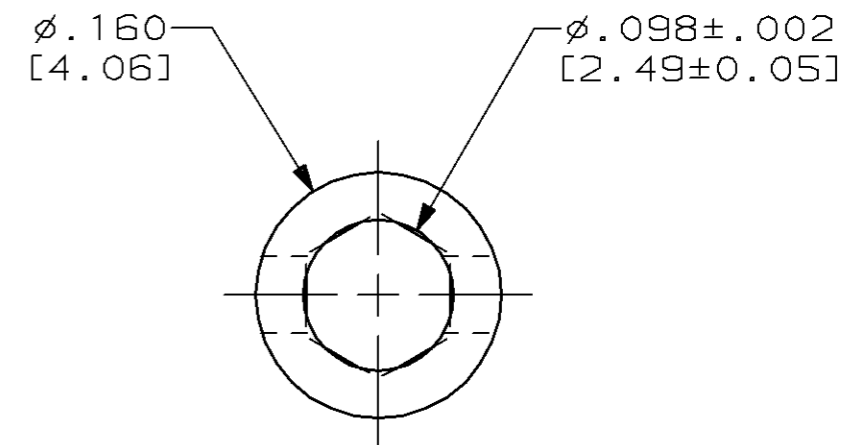
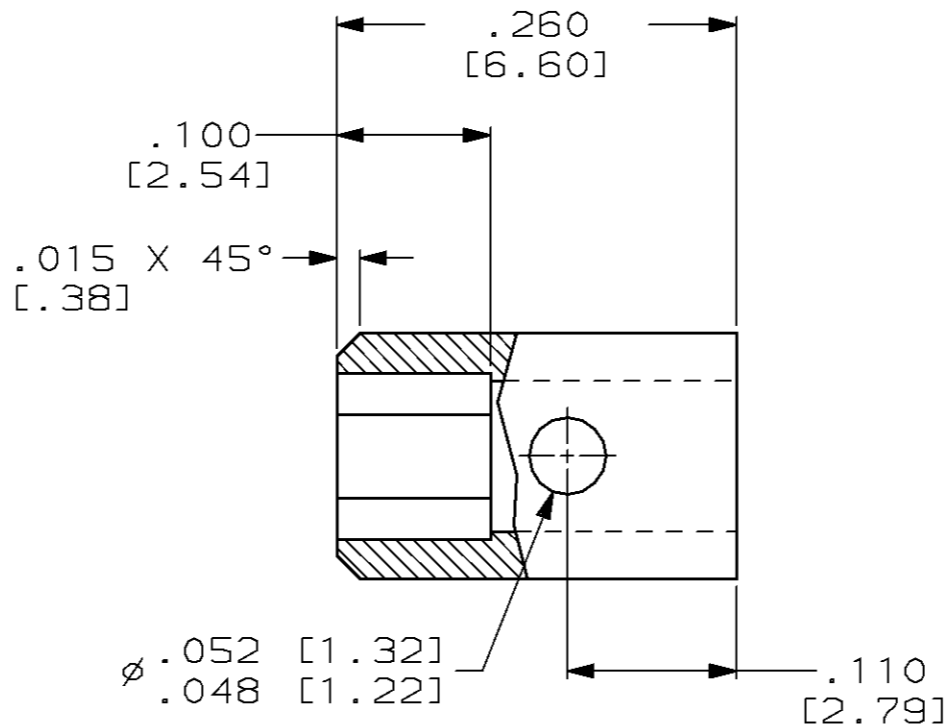
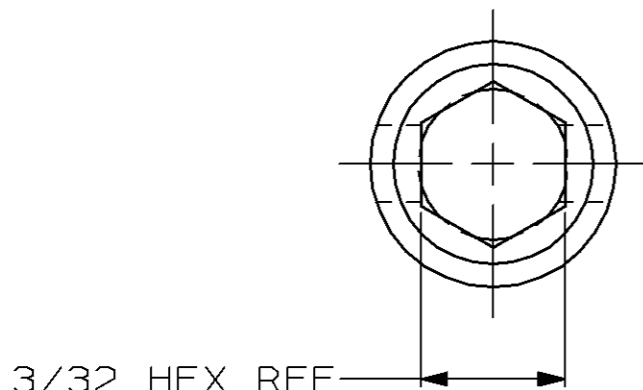
© COPYRIGHT 19

BY AMP INCORPORATED. ALL RIGHTS RESERVED.

LOC DF F0

REVISIONS

P	LTR	DESCRIPTION	DATE	DWN	APVD
0		REL PER 0600-5012-95	12-12-95	TA	DG



1 STAINLESS STEEL PER ASTM-A-582
 2 PASSIVATED PER QQ-P-35

443378-1
 PART NUMBER

<small>THIS DRAWING IS A CONTROLLED DOCUMENT FOR AMP INCORPORATED. IT IS SUBJECT TO CHANGE AND THE CONTROLLING ENGINEERING ORGANIZATION SHOULD BE CONTACTED FOR THE LATEST REVISION.</small>		DWN T. ALEXANDER 12-11-95 CHK D. GUTTER 12-12-95 APVD D. GUTTER 12-12-95 PRODUCT SPEC APPLICATION SPEC WEIGHT - CUSTOMER DRAWING	AMP AMP Incorporated Harrisburg, PA 17105-3608 NAME MINI-BOX, JACKSCREW, MALE, FIXED SIZE A3 CAGE CODE 00779 DRAWING NO C-443378 SCALE 8:1 SHEET 1 OF 1 REV 0
DIMENSIONS: INCHES [mm]	TOLERANCES UNLESS OTHERWISE SPECIFIED: 0 PLC ±- 1 PLC ±- 2 PLC ±- 3 PLC ±.005 [0.13] 4 PLC ±- ANGLES ±- FINISH		
	1 2		
MATERIAL			